



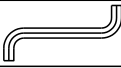



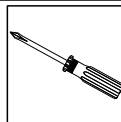


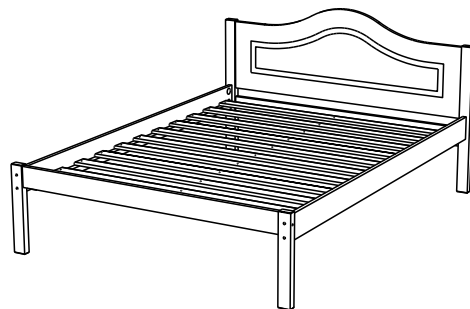
A		06
B		08
C		08
D		04
E		01
F		01
G		12
H		06
		3,5 x 35



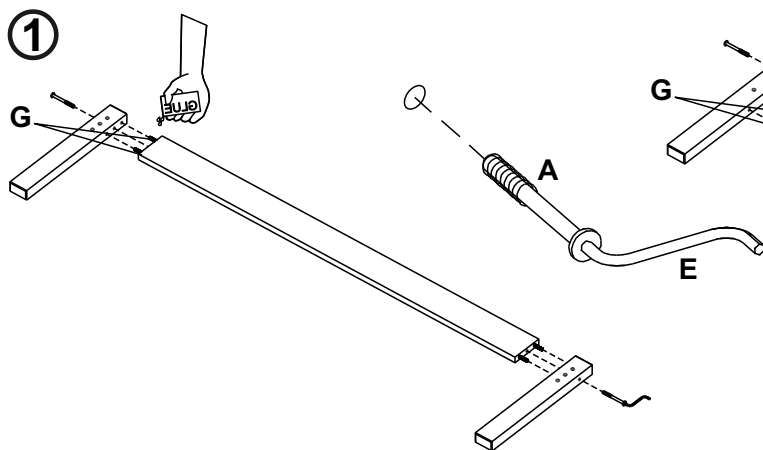
**ATTENTION PLEASE**  
ALTHOUGH DESIGN ON THE ASSEMBLY  
MAY DIFFER FROM THE ACTUAL BED, IT DOES NOT  
AFFECT THE WAY THE BEDS ARE ASSEMBLED.  
THIS IS FOR GUIDANCE ONLY.

**VERESI**  
**65x34**

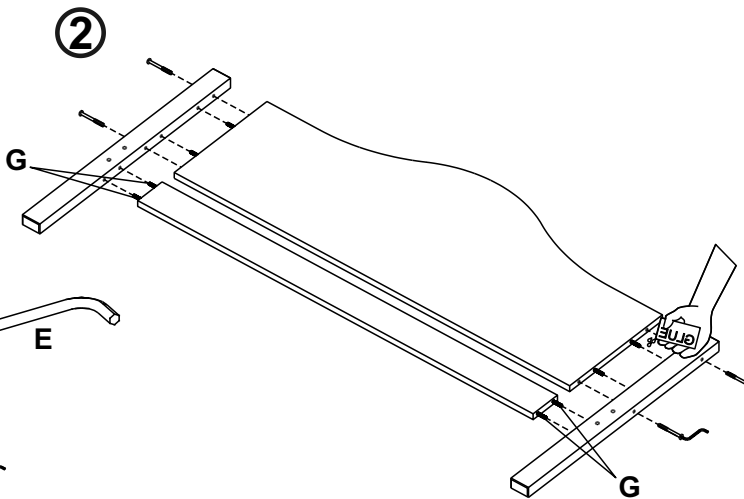
**3'0/4'6/5'0**








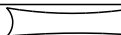

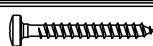
①

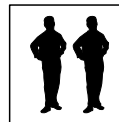
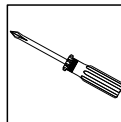


②



Rev. 03-05/05/2012

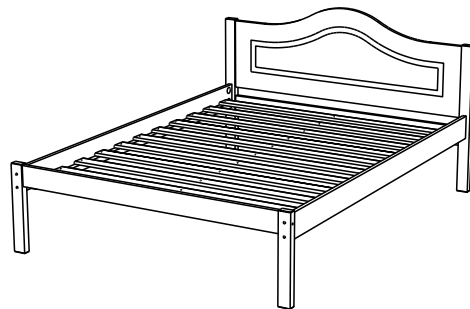
A		06
B		08
C		08
D		04
E		01
F		01
G		12
H		06
		3,5 x 35



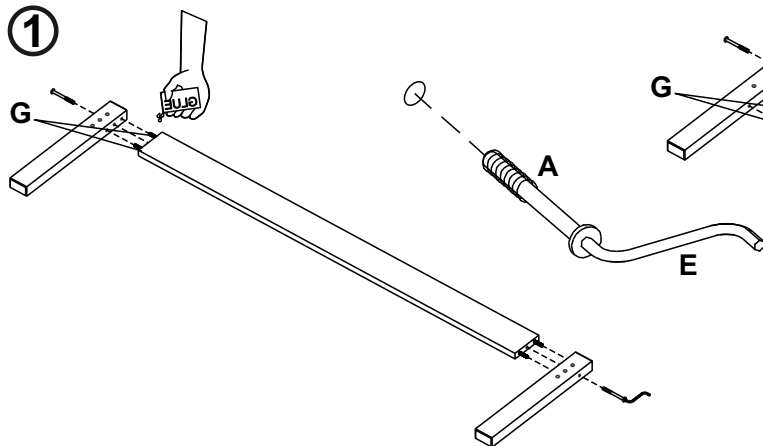
**ATTENTION PLEASE**  
ALTHOUGH DESIGN ON THE ASSEMBLY  
MAY DIFFER FROM THE ACTUAL BED, IT DOES NOT  
AFFECT THE WAY THE BEDS ARE ASSEMBLED.  
THIS IS FOR GUIDANCE ONLY.

**VERESI**  
**65x34**

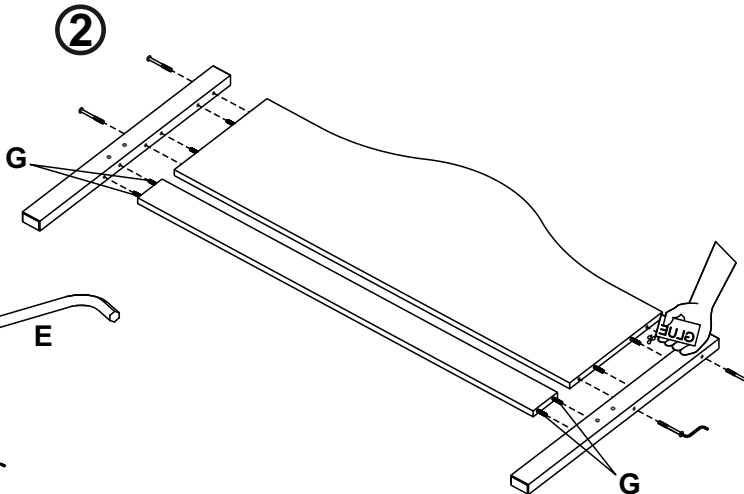
**3'0/4'6/5'0**



①



②



Rev. 03-05/05/2012

