

ASSEMBLY INSTRUCTIONS

****Please Note: All Bunk Beds are for domestic use only****



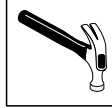
****Please Note: All Bunk Beds are for domestic use only****



IMPORTANT

» The upper part of the bunk is not suitable for children under the age of 6 years.

» This bed has successfully satisfied the requirements of BS EN 747-1 furniture-bunk beds domestic use - parts 1. Safety requirements and BS 747-2 furniture bunk beds for domestic use - parts 2.

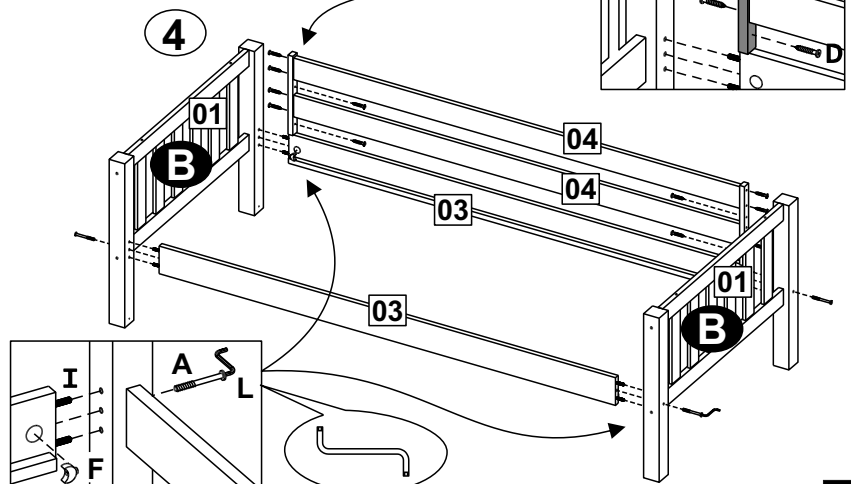
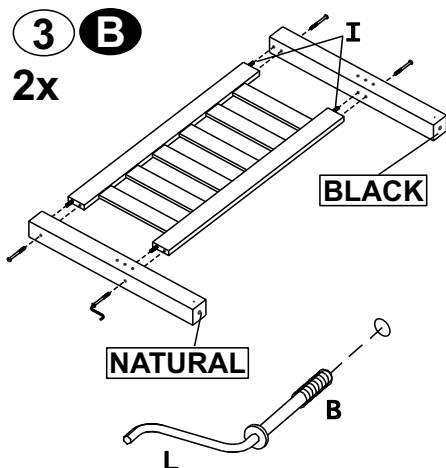
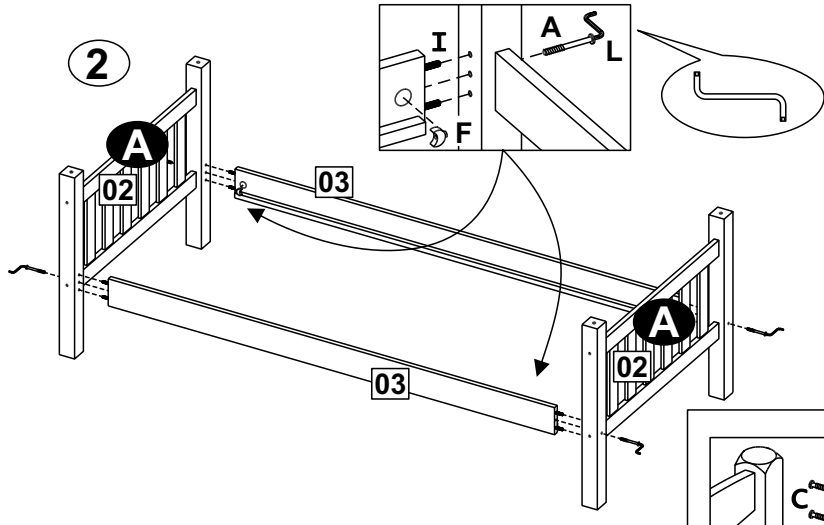
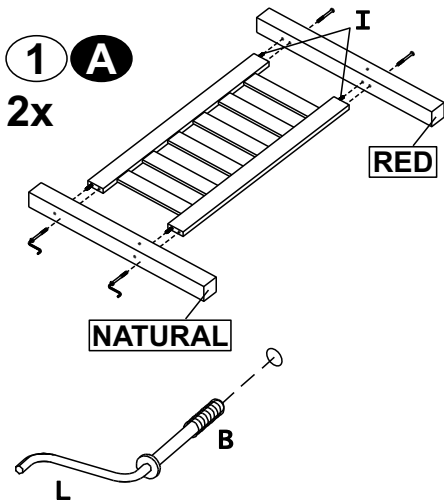


01	Top bunk head/footboard	2x
02	Bottom bunk head/footboard	2x
03	Side rail	4x
04	Guard rail long	2x
05	Guard rail short	2x
06	Slats	
07	Ladder steps	3x
08	Ladder uprights	2x
09	Guard rails support	1x

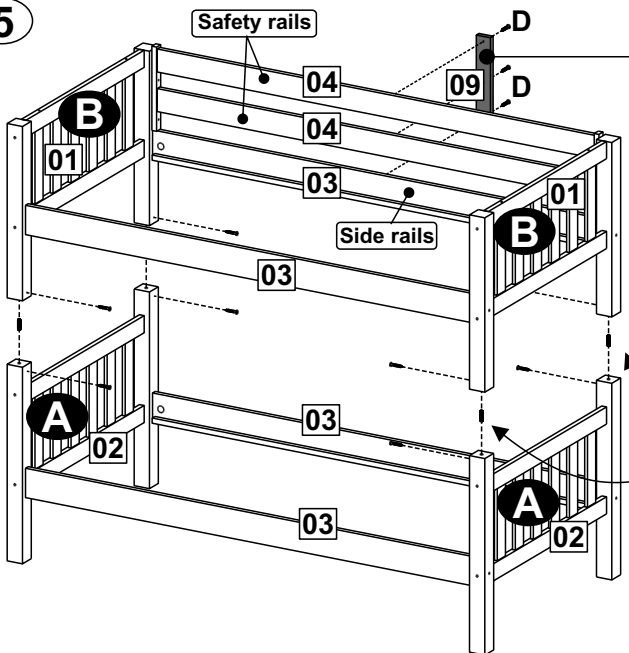
BUNK BED BARCELONA PALVER 2011/01-02

A		08
B		16
C		12
D		32
E		52
F		08

G		04
H		12
I		36
J	SLAT SPACER	01
K	GLUE	02
L		01



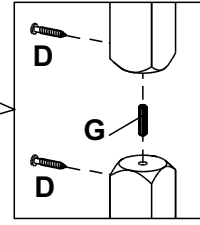
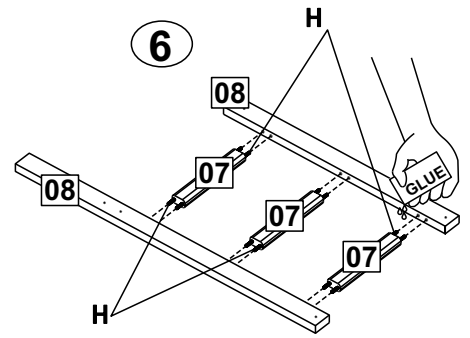
5



Attention this is for your safety, please read and act on it. Remember for your safety, we have strengthened the safety rails by means of a piece of wood (390x40) which must be fixed on the opposite side of the ladder. This piece of wood should be fixed upright with the screws (3 in total) provided.

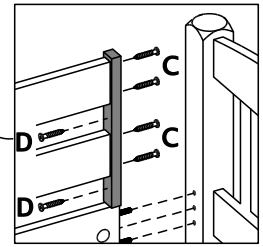
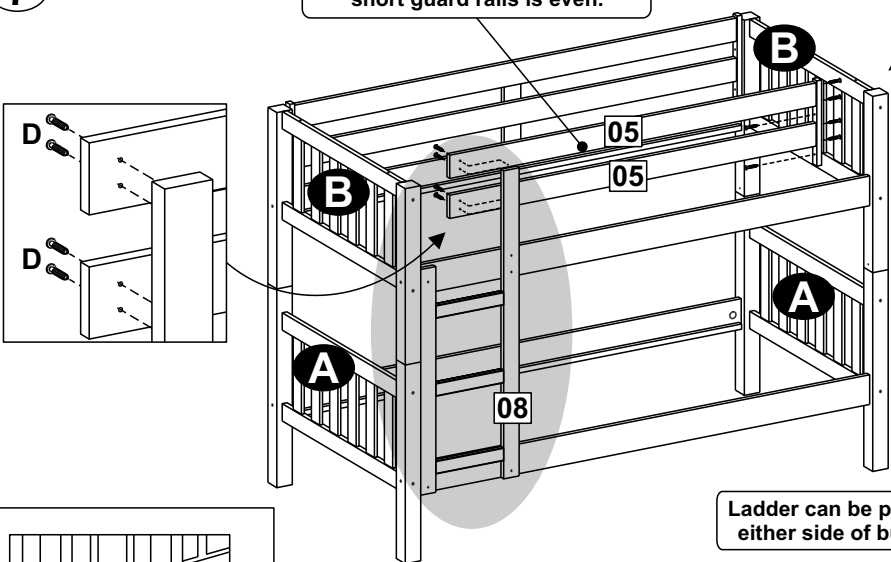


6

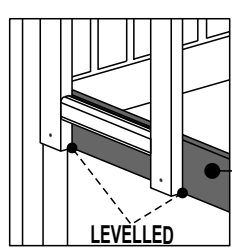
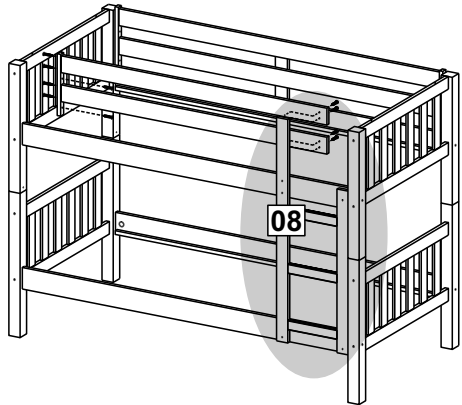


7

Ensure that the gap between the short guard rails is even.



Ladder can be put on either side of bunk.

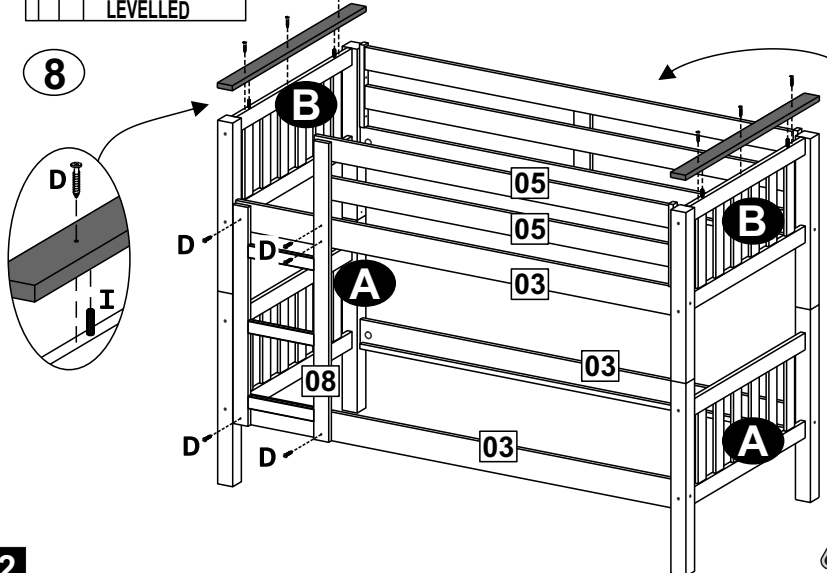


LADDER FIXING
BOTTOM LADDER LEVELLED
WITH UNDER SIDE OF SIDERAIL

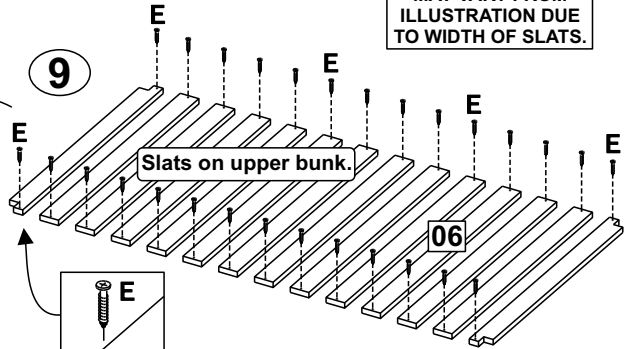
LEVELLED

QUANTITY OF SLATS
MAY VARY FROM
ILLUSTRATION DUE
TO WIDTH OF SLATS.

8



9



ATTENTION PLEASE
ALTHOUGH DESIGN ON
THE ASSEMBLY
MAY DIFFER FROM THE
ACTUAL BED,
IT DOES NOT AFFECT
THE WAY THE BEDS
ARE ASSEMBLED.
THIS IS FOR
GUIDANCE ONLY.

