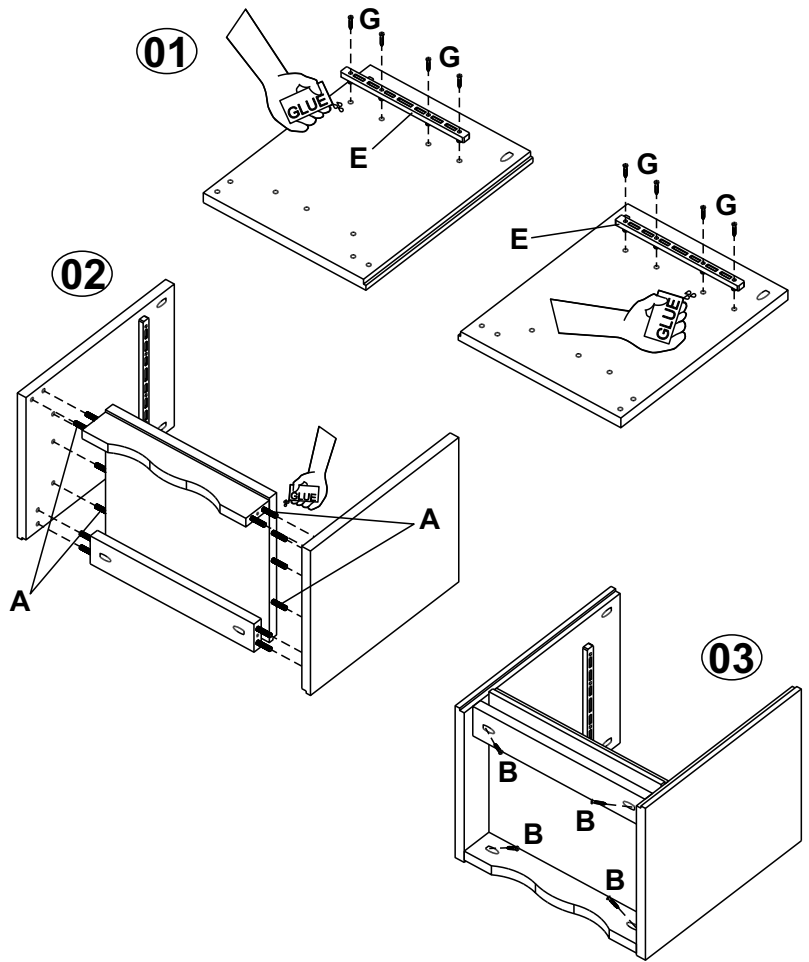
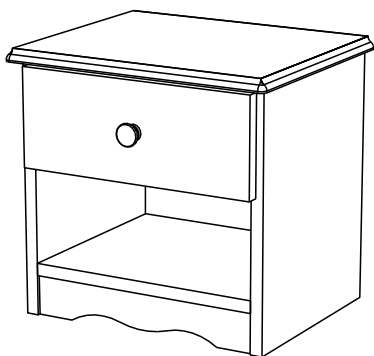


V001

A		8.0 x 40	24
B		5.0 x 35	12
C		8 x 8	20
D			01
E			02
F		GLUE	01
G		3.0 x 16	08
H		5.0 x 35	01

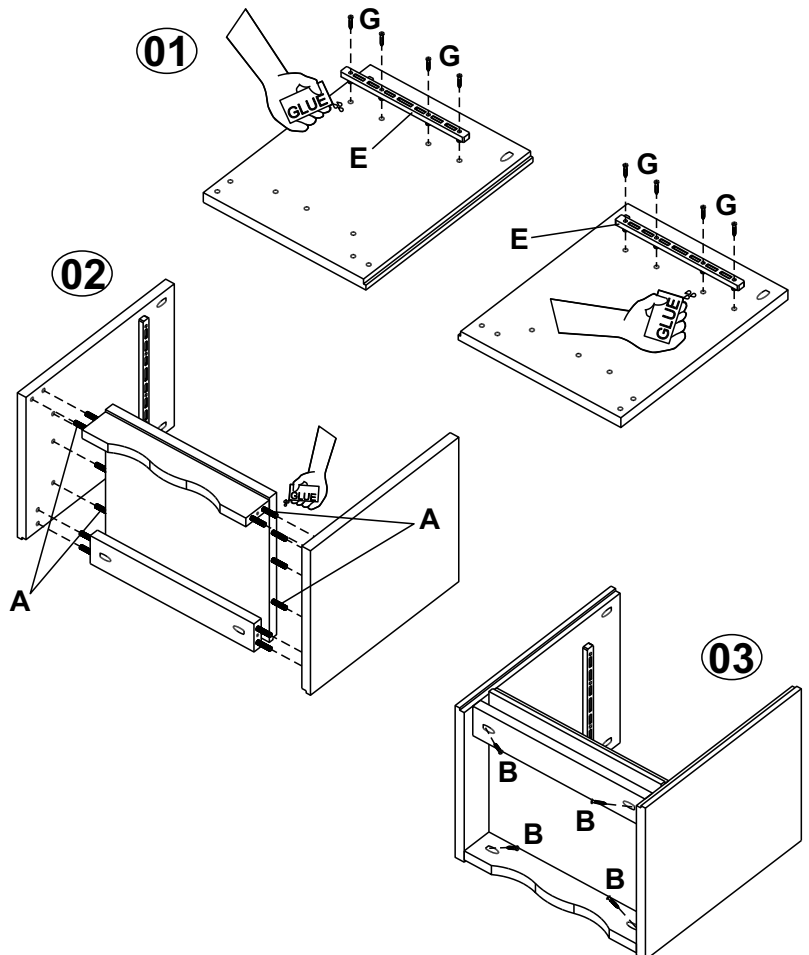


Rev.:05-12/03/12



V001

A		8.0 x 40	24
B		5.0 x 35	12
C		8 x 8	20
D			01
E			02
F		GLUE	01
G		3.0 x 16	08
H		5.0 x 35	01



Rev.:05-12/03/12

