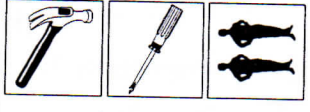
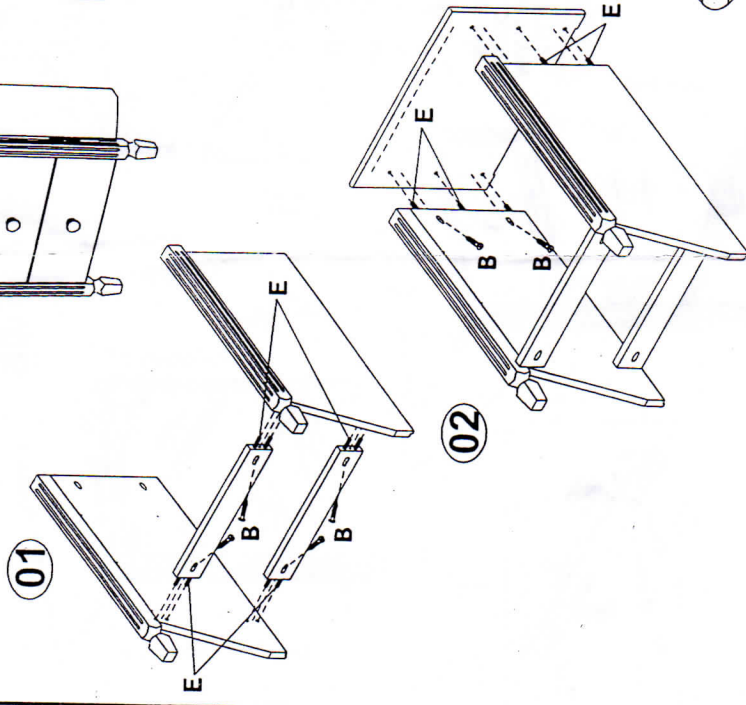
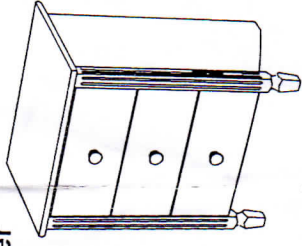
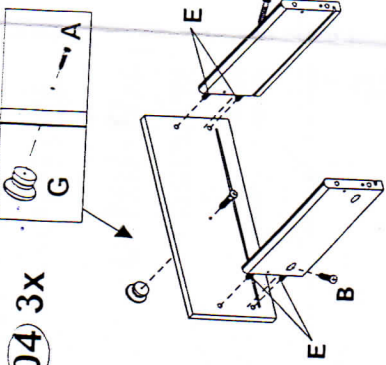


ASSEMBLY INSTRUCTIONS  
**Bed Side 3 Drawer**

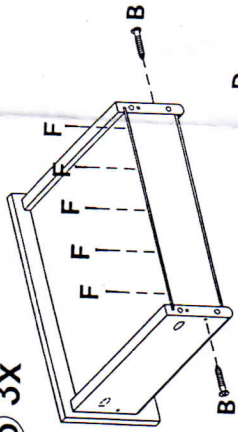


A		5,0 x 35	03
B		5,0 x 35	20
C		3,5 x 30	02
D		3,0 x 16	36
E		8,0 x 40	26
F		8 x 8	40
G			03
H		300mm	03
I		300mm	03
J		GLUE	01

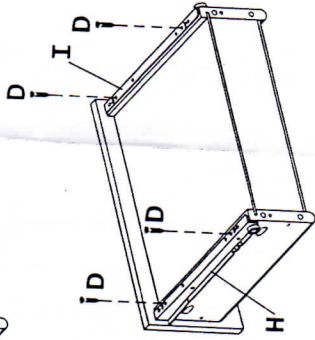
04 3X



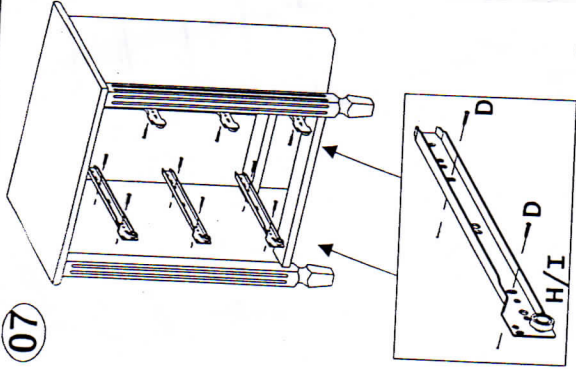
05 3X



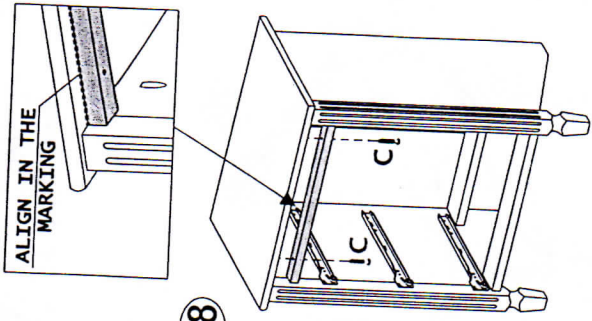
06 3X



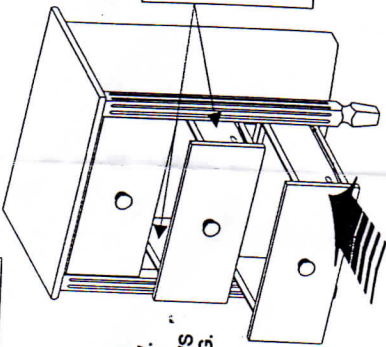
07



08



09



TO ADJUST THE  
DRAWER LOOSEN  
THE SCREW SHOWN.  
AFTER WITH 2  
ADDITIONAL SCREWS  
FASTEN THE SLIDING.