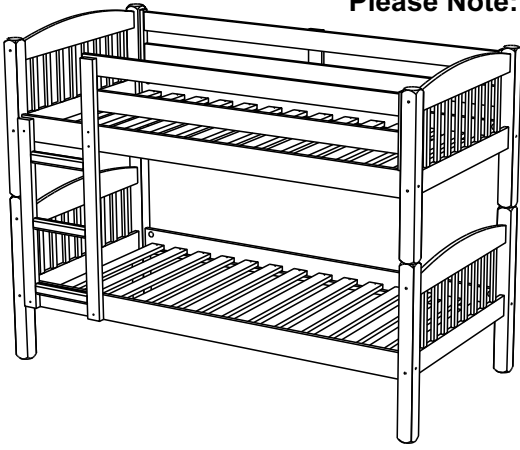


# ASSEMBLY INSTRUCTIONS

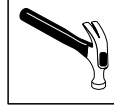
**\*\*Please Note: All Bunk Beds are for domestic use only\*\***



## IMPORTANT

» The upper part of the bunk is not suitable for children under the age of 6 years.

» This bed has successfully satisfied the requirements of BS EN 747-1 furniture-bunk beds domestic use - parts 1. Safety requirements and BS 747-2 furniture bunk beds for domestic use - parts 2.

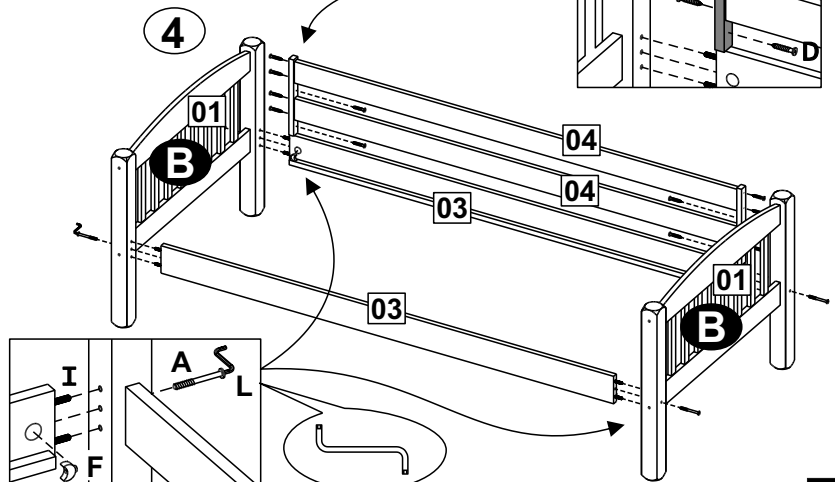
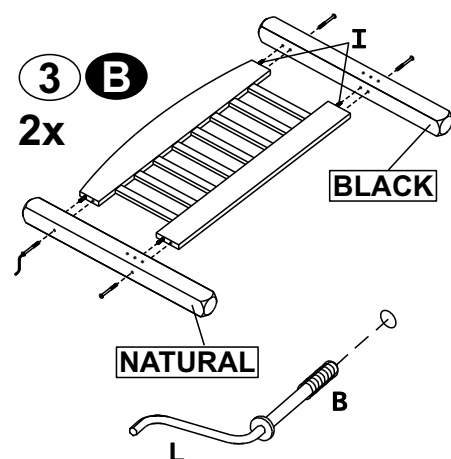
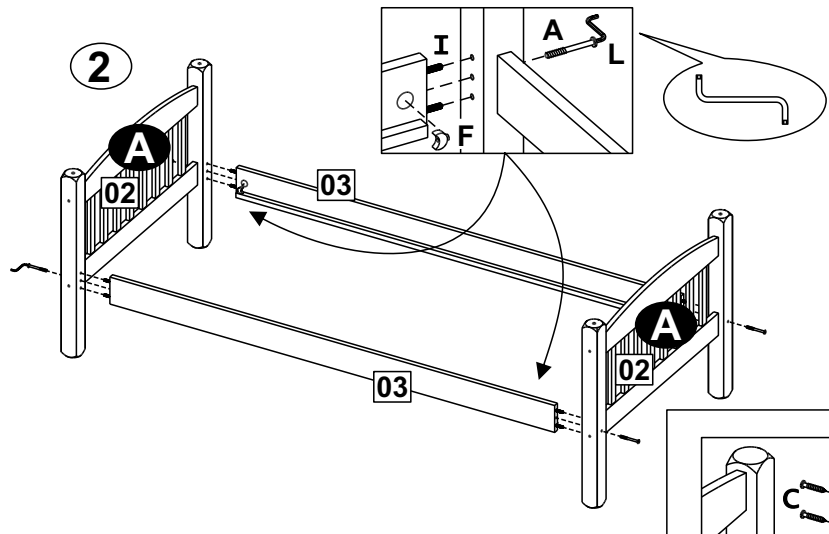
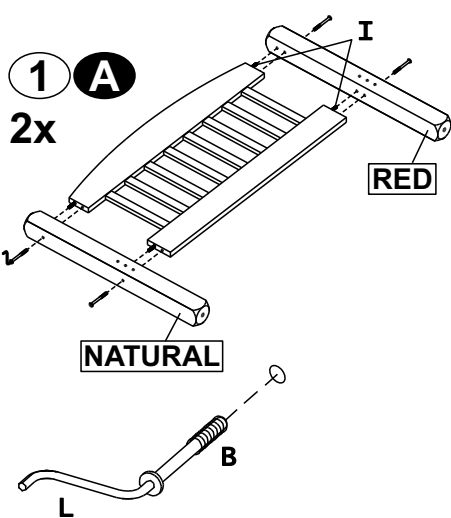


01	Top bunk head/footboard	2x
02	Bottom bunk head/footboard	2x
03	Side rail	4x
04	Guard rail long	2x
05	Guard rail short	2x
06	Slats	
07	Ladder steps	3x
08	Ladder uprights	2x
09	Guard rails support	1x

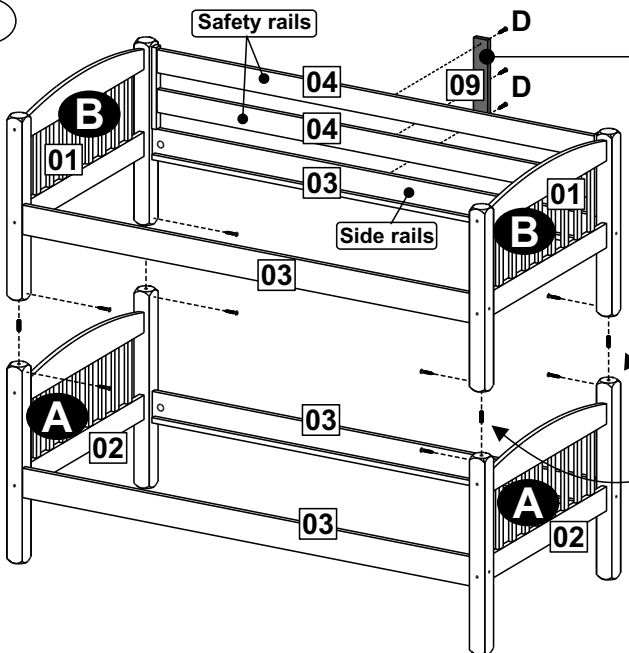
## BUNK BED AMERICA PALVER 2011/01-01

A		1/4" x 100	08
B		7,0 x 110	16
C		5,0 x 50	12
D		5,0 x 35	26
E		3,5 x 35	52
F		1/4"	08

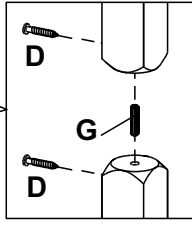
G		15 x 70	04
H		8,0 x 60	12
I		8,0 x 40	32
J		SLAT SPACER	01
K		GLUE	01
L			01



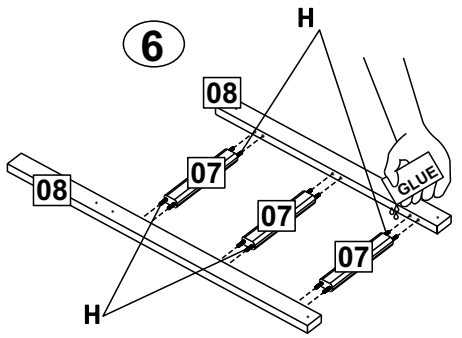
5



Attention this is for your safety, please read and act on it. Remember for your safety, we have strengthened the safety rails by means of a piece of wood (390x40) which must be fixed on the opposite side of the ladder. This piece of wood should be fixed upright with the screws (3 in total) provided.

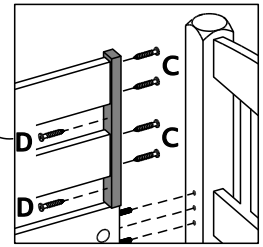
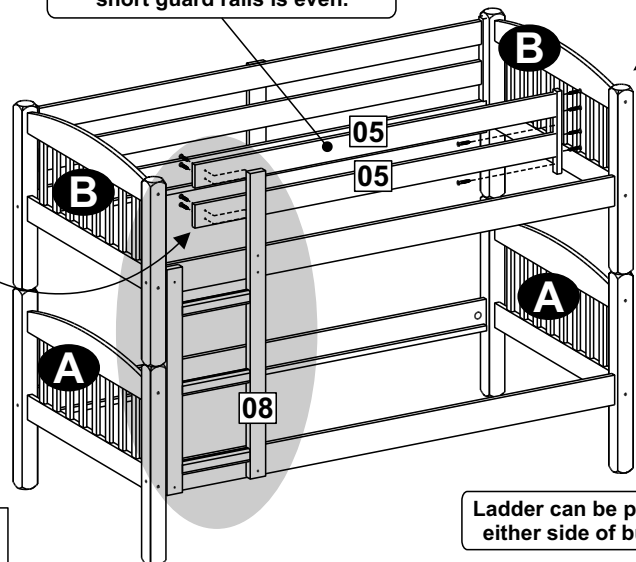
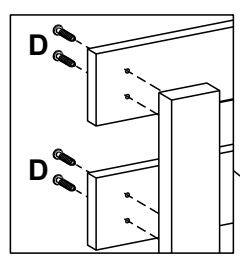


6

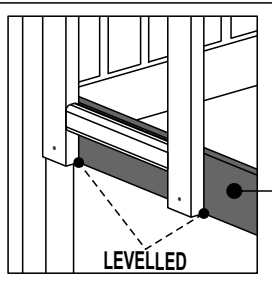
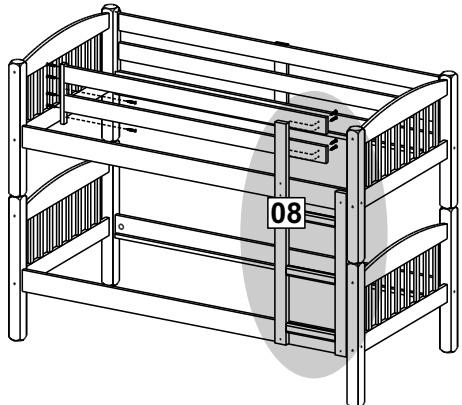


7

Ensure that the gap between the short guard rails is even.



Ladder can be put on either side of bunk.

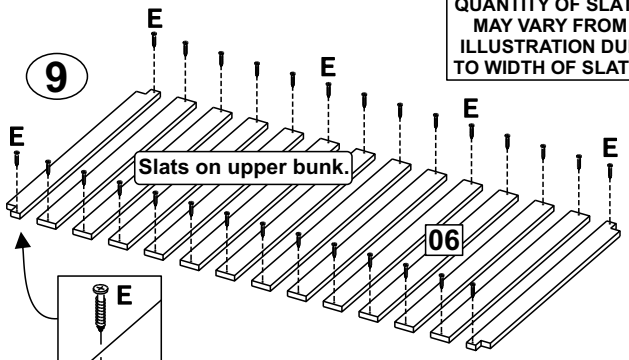
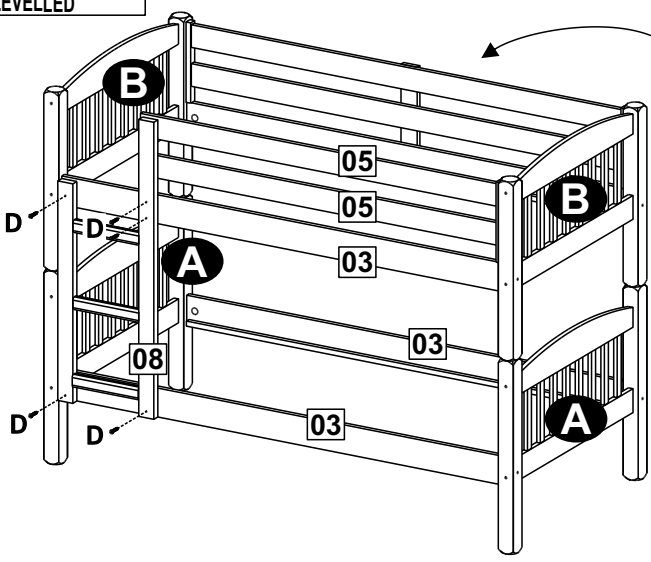


LADDER FIXING  
BOTTOM LADDER LEVELLED  
WITH UNDER SIDE OF SIDERAIL

LEVELLED

QUANTITY OF SLATS  
MAY VARY FROM  
ILLUSTRATION DUE  
TO WIDTH OF SLATS.

8



ATTENTION PLEASE  
ALTHOUGH DESIGN ON  
THE ASSEMBLY  
MAY DIFFER FROM THE  
ACTUAL BED,  
IT DOES NOT AFFECT  
THE WAY THE BEDS  
ARE ASSEMBLED.  
THIS IS FOR  
GUIDANCE ONLY.

