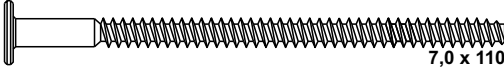

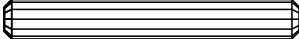
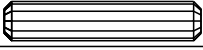

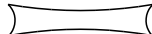
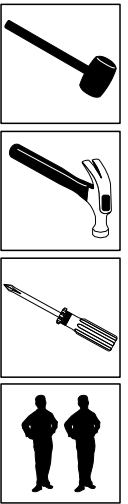


**ATTENTION PLEASE**

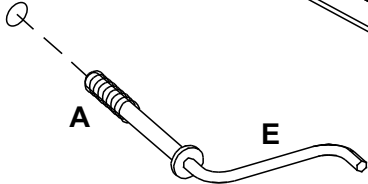
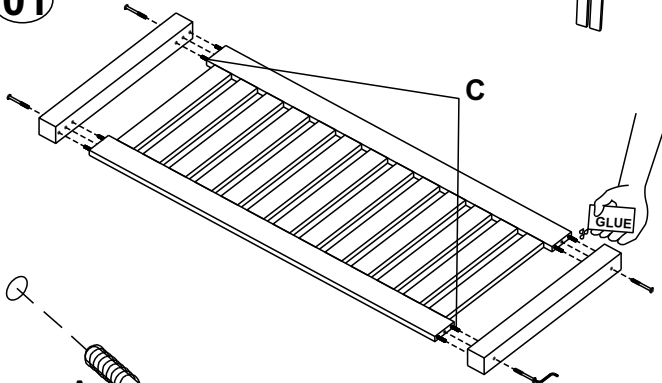
ALTHOUGH DESIGN ON THE ASSEMBLY  
MAY DIFFER FROM THE ACTUAL BED, IT DOES NOT  
AFFECT THE WAY THE BEDS ARE ASSEMBLED.  
THIS IS FOR GUIDANCE ONLY.

**SHAKER**  
2'6" / 3'0" / 4'0"  
4'6" / 5'0" / 6'0"

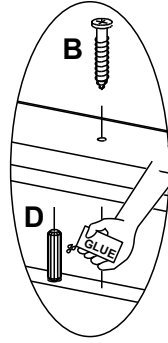
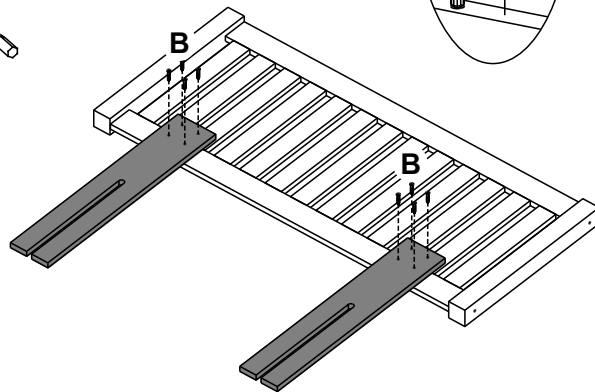
A		04
B		11
C		08
D		02
E		01
F		01



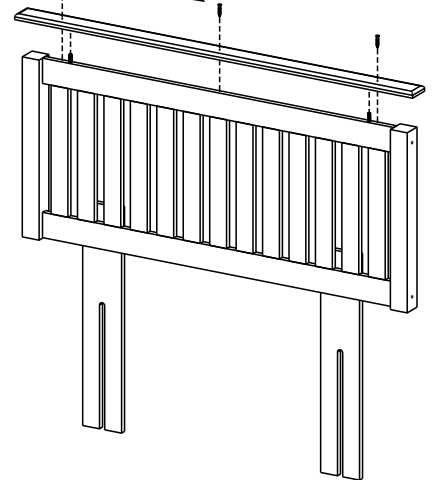
01



02



03


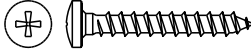
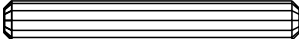
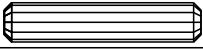

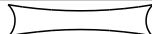


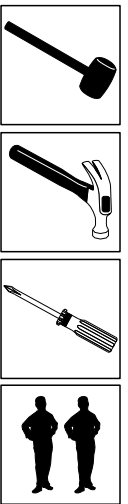
Rev. 02-05/05/2012

**ATTENTION PLEASE**

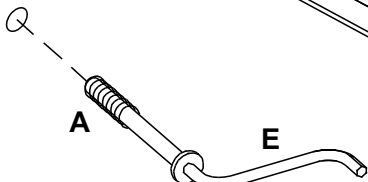
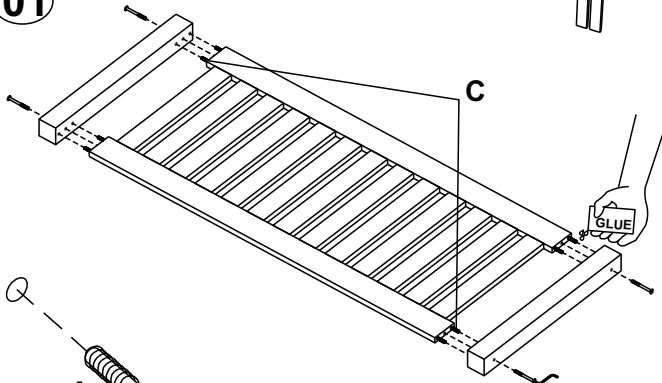
ALTHOUGH DESIGN ON THE ASSEMBLY  
MAY DIFFER FROM THE ACTUAL BED, IT DOES NOT  
AFFECT THE WAY THE BEDS ARE ASSEMBLED.  
THIS IS FOR GUIDANCE ONLY.

**SHAKER**  
2'6" / 3'0" / 4'0"  
4'6" / 5'0" / 6'0"

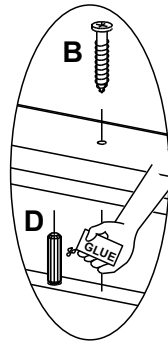
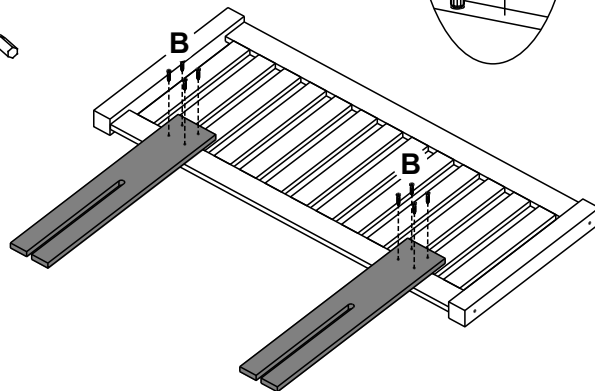
A		04
B		11
C		08
D		02
E		01
F		01



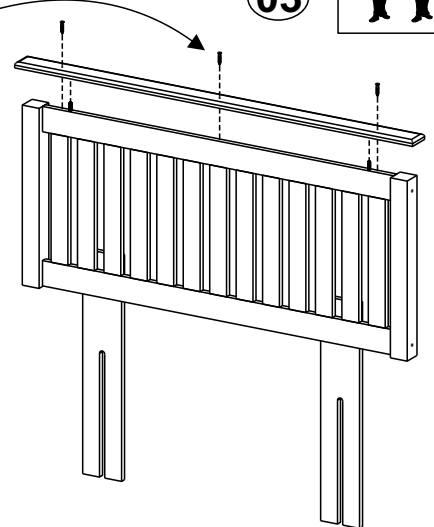
01



02



03



Rev. 02-05/05/2012