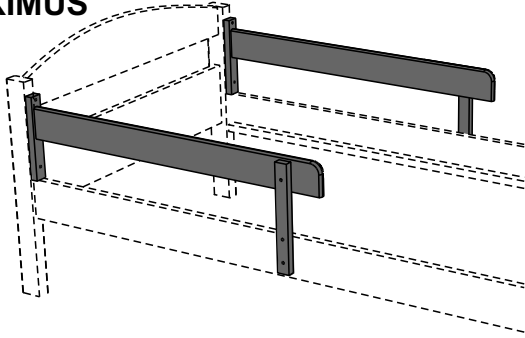


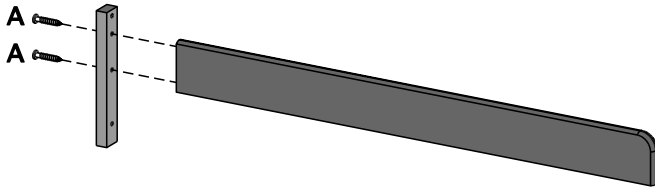
**ASSEMBLY INSTRUCTIONS**

**ATTENTION PLEASE**  
 ALTHOUGH DESIGN ON THE ASSEMBLY  
 MAY DIFFER FROM THE ACTUAL BED, IT DOES NOT  
 AFFECT THE WAY THE BEDS ARE ASSEMBLED.  
 THIS IS FOR GUIDANCE ONLY.

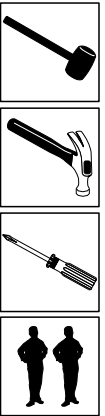
**PROTECTION MAXIMUS**



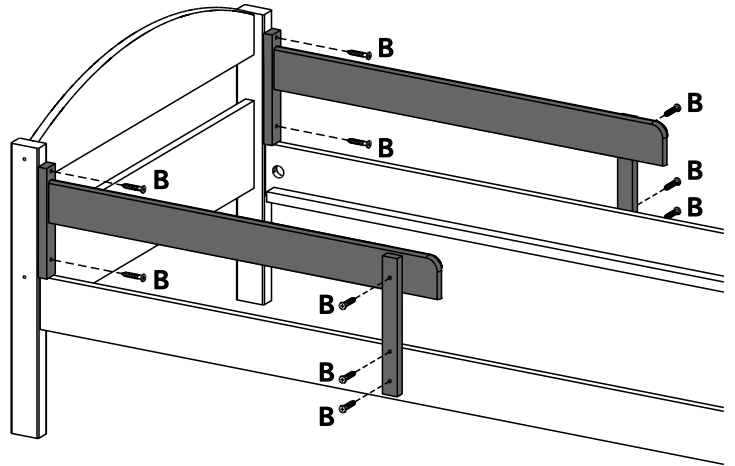
**01**



A		04
B		10



**02**

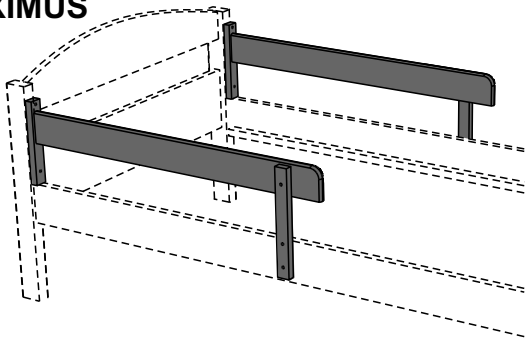


Rev.:01-25/01/2012

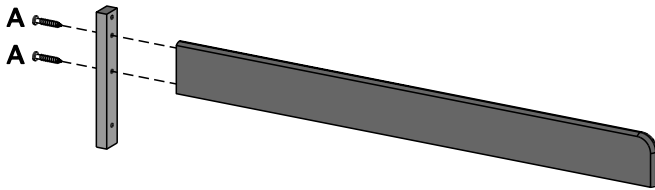
**ASSEMBLY INSTRUCTIONS**

**ATTENTION PLEASE**  
 ALTHOUGH DESIGN ON THE ASSEMBLY  
 MAY DIFFER FROM THE ACTUAL BED, IT DOES NOT  
 AFFECT THE WAY THE BEDS ARE ASSEMBLED.  
 THIS IS FOR GUIDANCE ONLY.

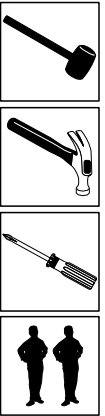
**PROTECTION MAXIMUS**



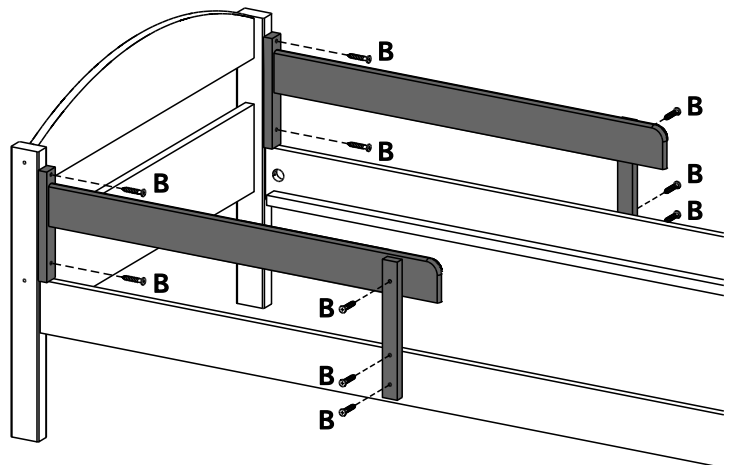
**01**



A		04
B		10



**02**



Rev.:01-25/01/2012